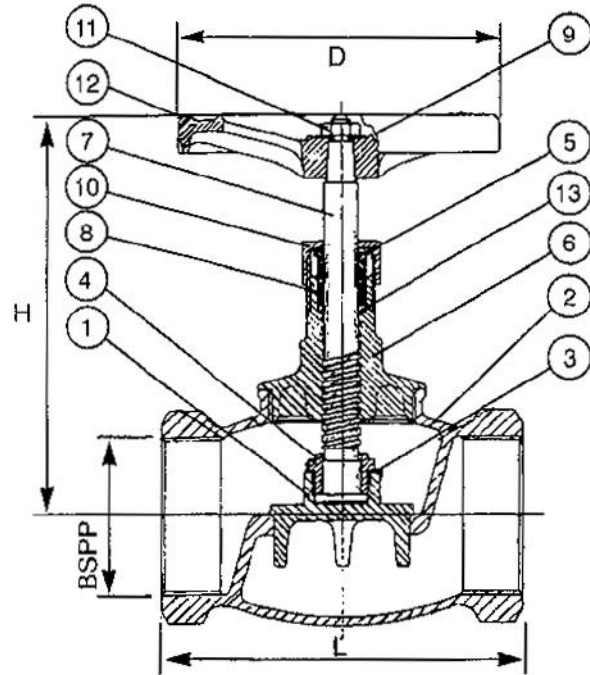
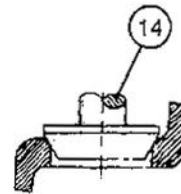


- Options:**
- Bronze Handwheels ①
 - Open-Shut Indicators ②
 - Locking Devices ③

- **Pressures:** 2100 kPa CWP
Steam: 1200 kPa @ 200°C
- **Standards:** Dezincification Resistant
BS 5154 – 1991:Globe Stop & Check Valves
AS 3855: Materials to suit Potable
Water Service



Valve available as
SDNR – Controllable lift.
Sizes 25mm ~ 80mm
Fig No **TIMCL**



• Disc Construction
15mm x 25mm

Dimensions

Size mm	8	10	15	20	25	32	40	50	65	80	100
L	•	•	56	59	73	87	92	114	143	165	•
H	•	•	83	95	97	133	152	165	185	216	•
D	•	•	55	65	65	90	90	90	150	150	•
Wt/kgs	•	•	0.4	0.6	0.85	1.6	2.0	3.1	4.7	6.8	•

ITEM	DESCRIPTION	MAT'L	STANDARD
14	DISC – SPINDLE	DR BRASS	AS1567 -352
13	SEAL RING	DR BRASS	AS1567 -352
12	HANDWHEEL	ZINCALUM BRONZE	AS1874 AS1565
11	HANDWHEEL NUT	BRASS	
10	GLAND NUT	DR BRASS	AS1567 -352
9	NAMEPLATE		
8	GLAND PACKING	PTFE	AS1198
7	SPINDLE	DR BRASS	AS1567 -352
6	COVER – BONNET	GUNMETAL BRONZE	AS1565 CB3600M
5	GLAND	DR BRASS	AS1566 -352
4	DISC NUT	DR BRASS	AS1565 -352
3	LOCK NUT	DR BRASS	AS1565 -352
2	BODY	GUNMETAL BRONZE	AS1565 CB3600M
1	DISC	GUNMETAL BRONZE	AS1565 CB3600M



PROMET VALVES AUSTRALIA
1A Green Road Woodville West SA 5011
www.prometvalves.com promet@prometvalves.com
T: 08 8268 1777 ABN 47096 425 697 F: 08 8268 1711

FIG No

T1M

BRONZE GLOBE VALVE
SCREWED

CLASS 21
PN 20